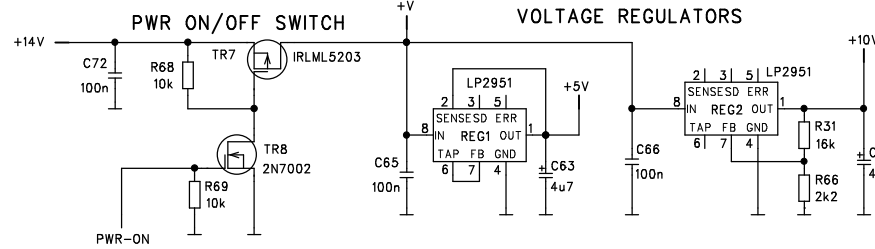
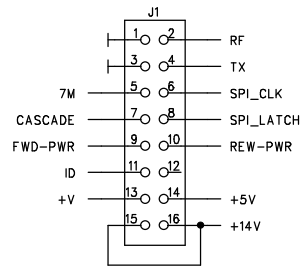
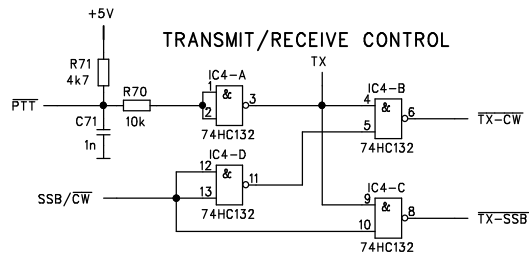
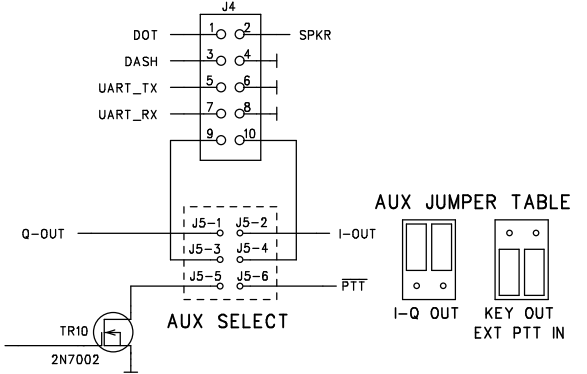


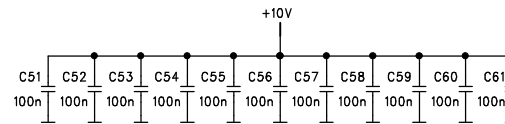
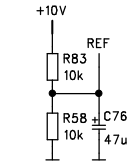
TO PA BOARD



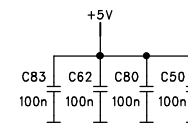
TO CONNECTOR BOARD



OPAMP REF

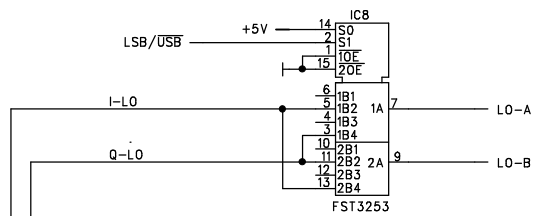


OPAMP BYPASS CAPACITORS  
GND PIN4, VCC PIN8

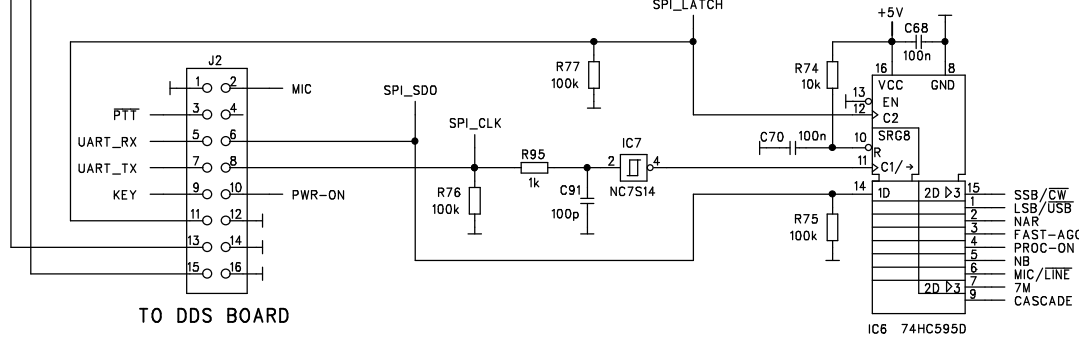


LOGIC IC BYPASS CAPACITORS  
S014: GND PIN7, VCC PIN14  
S016: GND PIN8, VCC PIN16  
SOT23-5: GND PIN3, VCC PIN5

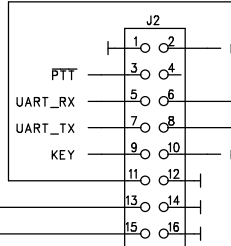
SIDEBAND SELECT



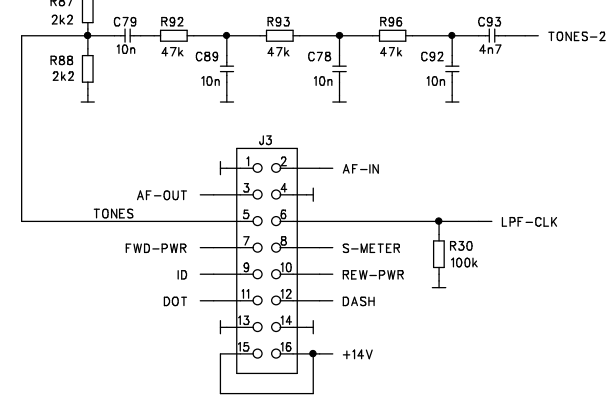
CONTROL SHIFT REGISTER



TO DDS BOARD

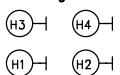


TONE LPF

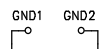


TO DDS BOARD

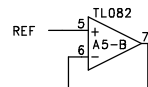
Mounting holes



GND TEST JUMPER



UNUSED COMPONENTS



Drawn	2007-11-07	JUMA-TRX2 HF SSB/CW TRANSCEIVER MAIN BOARD REGULATORS/CONTROL/CONNECTORS	<b>OH7SV</b>
Design	OH7SV		
Sheet	3/3		Rev