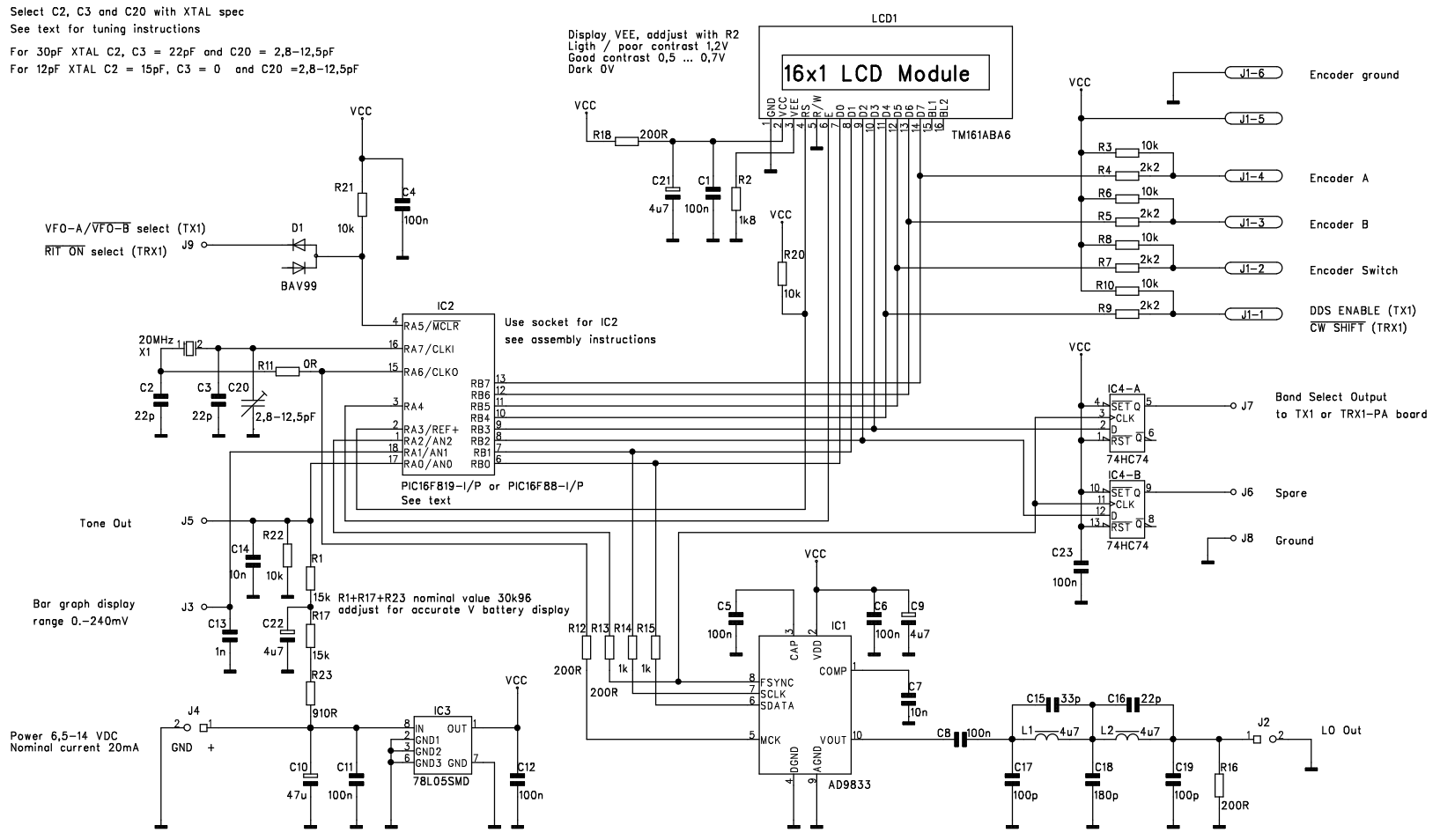


Select C2, C3 and C20 with XTAL spec
 See text for tuning instructions
 For 30pF XTAL C2, C3 = 22pF and C20 = 2,8-12,5pF
 For 12pF XTAL C2 = 15pF, C3 = 0 and C20 = 2,8-12,5pF

Display VEE, adjust with R2
 Light / poor contrast 1,2V
 Good contrast 0,5 ... 0,7V
 Dark 0V



DDS & Display board for JUMA-TX1 and JUMA-TRX1

OH2NLT

Drawn 18.08.2005

OH2NLT
Jni

DRAWING No. Rev. B 12.05.2006
 TX1/TRX1 markings added by OH7SV

Appr.

Page 1